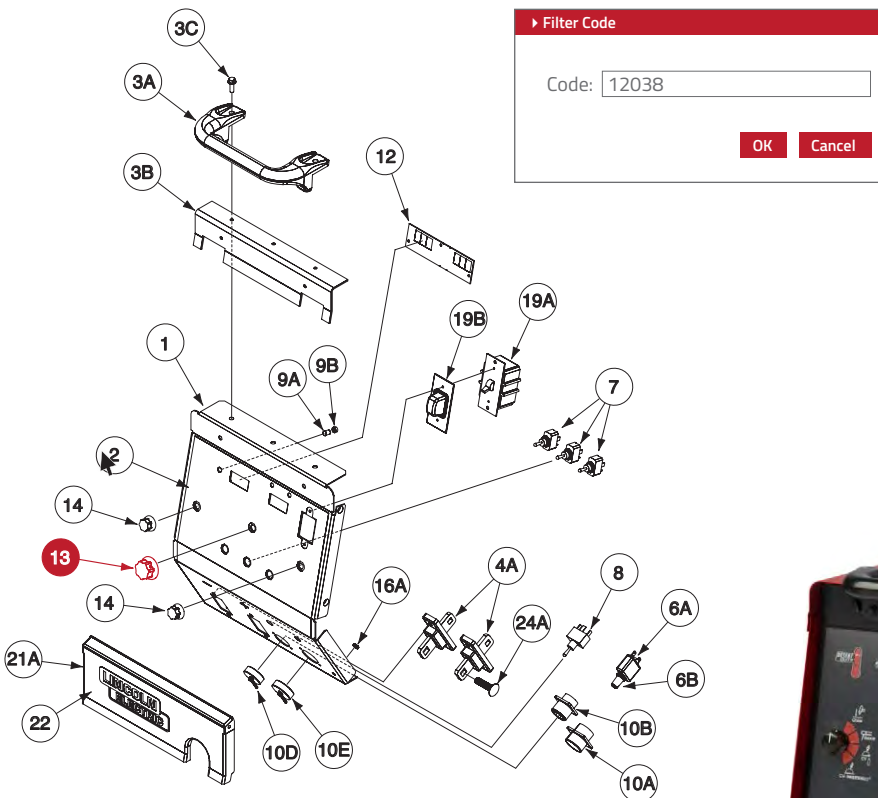


Service Information – FAST & EASY

# GET THE PARTS YOU NEED!

Equipment up-time is critically important – Lincoln Electric has you covered with expert service and support. The updated Service Navigator makes it easier and faster to find service information and purchase genuine Lincoln parts using state-of-the-art textual and visual navigation. Quickly navigate to service documentation for a particular machine by utilizing the code number filter, and bookmark content for quick and easy reference. Spend less time looking for service information and more time welding.



## TWO WAYS TO ACCESS THE SITE:

1. Go to [parts.lincolnelectric.com](http://parts.lincolnelectric.com)
2. Existing customers log-in on [www.lincolnelectric.com](http://www.lincolnelectric.com) and navigate to **Service Center** in the side navigation bar.



## Features of Service Navigator 2.0:

- » Detailed dynamic parts diagrams
- » Online ordering
- » Bookmark commonly used documents
- » Up-to-date information
- » Improved browser compatibility
- » Offline version available
- » Tablet supported
- » Multi-language support

