



SLIDING VALVE

GUARDIAN™ Fire Safety Solutions for Fume Control Systems

PNEUMATIC SHUT-OFF SLIDING DAMPER

The sliding valve assembly is to be mounted in a fume extraction duct. The valves are to be mounted such that one valve is located in the filter inlet and one is located in the filter outlet duct. The sliding valves are activated by the system control panel. Actuated by pneumatic cylinders, the sliding valves will close automatically to cut off the source of air and to isolate the fire.

When the extraction system is switched off, the valves are closed as well to create a safe situation.



APPLICATIONS:

Sliding valves are part of Lincoln Electric's GUARDIAN™ fire safety solutions for fume control systems and is recommended for applications with an increased fire risk, such as:

- Robotic welding of oily stamped products
- Robotic and automatic welding of oily products
- Manual welding of oily products
- Cutting tables
- Schools/Other areas with risk of cigarette butts

SPECIFICATIONS:

• Physical Dimensions and Properties:

- Material: Galvanized steel

• Technical Data - PNEUMATIC CYLINDER:

- Pressure - Normal: 4-5 bar (58-73 psi)
- Pressure - Maximum: 9 bar (131 psi)
- Compressed Air Quality: Dry & oil-free according to ISO 8573-3 Class 6

• Technical Data - SOLENOID VALVE:

- Type of Valve:
5/2 Solenoid Valve with Spring Reset
- Acting Type: NC (normally closed)
- Compressed Air Quality:
Dry & oil-free according to ISO 8573-3 Class 6

• Ambient Condition:

- Operating Temperature:
Minimum: -4°F (-20°C)
Nominal: 68°F (+20°C)
Maximum: 122°F (+50°C)
- Outdoor Use Allowed: Yes
(If protected against precipitation; do not allow compressed air to cool down below its dew point)

• Mounting Position:



• Vertical Mounting:

- 1st sliding valve: in filter inlet duct
- 2nd sliding valve: after spark and smoke sensor in filter outlet duct

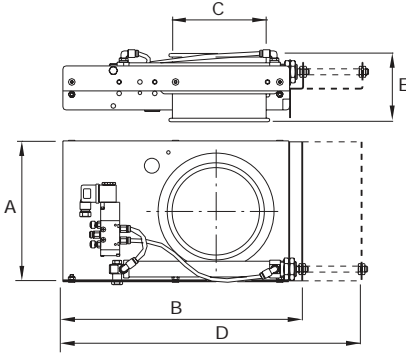


SLIDING VALVE

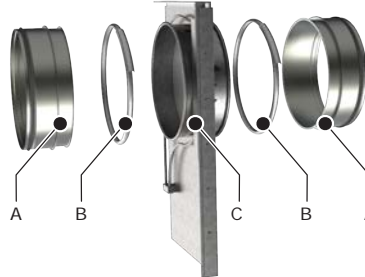
GUARDIAN™ Fire Safety Solutions for Fume Control Systems

DIMENSIONS

REF TABLE 1



EXPLODED VIEW - MOUNTING



- A** · Metric sizes: connection flange (metric to metric)
· Imperial sizes (shown): connection piece from metric (mm) to imperial (in)
- B** Quick Connect Coupling
- C** Sliding Valve

TABLE 1: REMAINING SPECIFICATIONS

SLIDING VALVE					
	SV-10 (SV-250)	SV-12 (SV-315)	SV-16 (SV-400)	SV-20 (SV-500)	SV-24 (SV630)
Physical Dimensions and Properties					
A	14.6 in (370 mm)	17.1 in (435 mm)	20.5 in (520 mm)	26.8 in (680 mm)	30.7 in (780 mm)
B	23.0 in (585 mm)	28.7 in (730 mm)	35.6 in (905 mm)	42.7 in (1085 mm)	52.8 in (1340 mm)
C	9.8 in (250 mm)	12.4 in (315 mm)	15.7 in (400 mm)	19.7 in (500 mm)	24.8 in (630 mm)
D	33.3 in (845 mm)	41.5 in (1055 mm)	51.8 in (1315 mm)	62.8 in (1595 mm)	78.0 in (1980 mm)
E	6.5 in (165 mm)	6.5 in (165 mm)	6.5 in (165 mm)	9.8 in (250 mm)	9.8 in (250 mm)
Weight (net)	36 lbs (16 kg)	53 lbs (24 kg)	71 lbs (32 kg)	136 lbs (74 kg)	212 lbs (96 kg)
Appropriate Duct Diameter	10 in (250 mm)	12 in (315 mm)	16 in (400 mm)	20 in (500 mm)	24 in (630 mm)
Shipping Data					
Gross weight	40 lbs (18 kg)	57 lbs (26 kg)	77 lbs (35 kg)	172 lbs (78 kg)	223 lbs (101 kg)
Packing dimensions (excl. pallet)	31.5 x 23.6 x 15.7 in (800 x 600 x 400 mm)				

ORDER INFORMATION

Product Number	Product Name	Product Number	Product Name	Number/Package
AD1387-49	SV-250	AD1387-44	SV-10	1 piece per package
AD1387-50	SV-315	AD1387-45	SV-12	
AD1387-51	SV-400	AD1387-46	SV-16	
AD1387-52	SV-500	AD1387-47	SV-20	
AD1387-53	SV-630	AD1387-48	SV-24	

APPROVALS/CERTIFICATES



ULC S527-99

The operation of welding fume control equipment is affected by various factors including proper use and positioning of the equipment, maintenance of the equipment and the specific welding procedure and application involved. Worker exposure level should be checked upon installation and periodically thereafter to be certain it is within applicable OSHA PEL and ACGIH TLV limits.

CUSTOMER ASSISTANCE POLICY

The business of The Lincoln Electric Company is manufacturing and selling high quality welding equipment, consumables, and cutting equipment. Our challenge is to meet the needs of our customers and to exceed their expectations. On occasion, purchasers may ask Lincoln Electric for information or advice about their use of our products. Our employees respond to inquiries to the best of their ability based on information provided to them by the customers and the knowledge they may have concerning the application. Our employees, however, are not in a position to verify the information provided or to evaluate the engineering requirements for the particular weldment. Accordingly, Lincoln Electric does not warrant or guarantee or assume any liability with respect to such information or advice. Moreover, the provision of such information or advice does not create, expand, or alter any warranty on our products. Any express or implied warranty that might arise from the information or advice, including any implied warranty of merchantability or any warranty of fitness for any customers' particular purpose is specifically disclaimed.

Lincoln Electric is a responsive manufacturer, but the selection and use of specific products sold by Lincoln Electric is solely within the control of, and remains the sole responsibility of the customer. Many variables beyond the control of Lincoln Electric affect the results obtained in applying these types of fabrication methods and service requirements.

Subject to Change – This information is accurate to the best of our knowledge at the time of printing. Please refer to www.lincolnelectric.com for any updated information.

E13.103 (02/16) © Lincoln Global, Inc. All Rights Reserved. Printed in the U.S.A.

WORLD-CLASS WELD FUME CONTROL EXPERTISE

Our technical sales team is trained and knowledgeable about the methodology of substitution, isolation, and ventilation. As a key partner, with a wealth of experience and knowledge of welding, welding fume and welding fume removal, we can assist you to identify the right weld fume control solution for your application. Lincoln Electric has a global network of facilities and people to provide quick response and personalized attention, no matter where your welding operations are located.

SUPPORT & TRAINING PROGRAMS

We offer support materials, training tools, free seminars and courses to enhance your welding and cutting safety program.

Our service and support programs are designed to meet your needs. For on-going preventive maintenance and support, our team can train your staff, conduct evaluations or audits and deliver the services you need to stay productive and effective.

VALUABLE CUSTOM SOLUTIONS

The Lincoln Electric weld fume control team understands and recognizes that each welding application is unique with its own set of variables; one equipment and consumable solution does not fit every application. Our team will engineer a system to efficiently and effectively remove welding fume and particulate from your metalworking operations.

Contact us today!



Automation Solutions

www.lincolnelectric.com/automated-solutions

UNITED STATES

22221 St. Clair Avenue
Cleveland, Ohio · 44117-2522
Phone: +1.888.935.3878

CANADA

939 Gana Court
Mississauga, Ontario · L5S 1N9
Phone: +1.905.565.5600

MEXICO

Calzada Azcapotzalco-La Villa 869
Industrial Vallejo, Mexico DF · CP 02330
Phone: +52.55.5065.0330