

TURNING ROLLS

Mechanized Automation



Lincoln Electric® offers an extensive line of turning and idler rolls for welding applications. All of the turning rolls feature a hand pendant controller. The turning rolls also feature a universal plug, allowing for easy installation and changeout of foot switches, hand pendants, and tachometers. Variable speed controls, high quality worm gear reducers and solid state controls with dynamic braking is standard on power and idler rolls.

The 30,000 pound capacity turning and idler models feature a constant centerline, quick, accurate roll change centers, and direct drive roll connections.

Turning Capacity lb (kg) »
1500-30000 (680-13608)

Input »



Product Number »

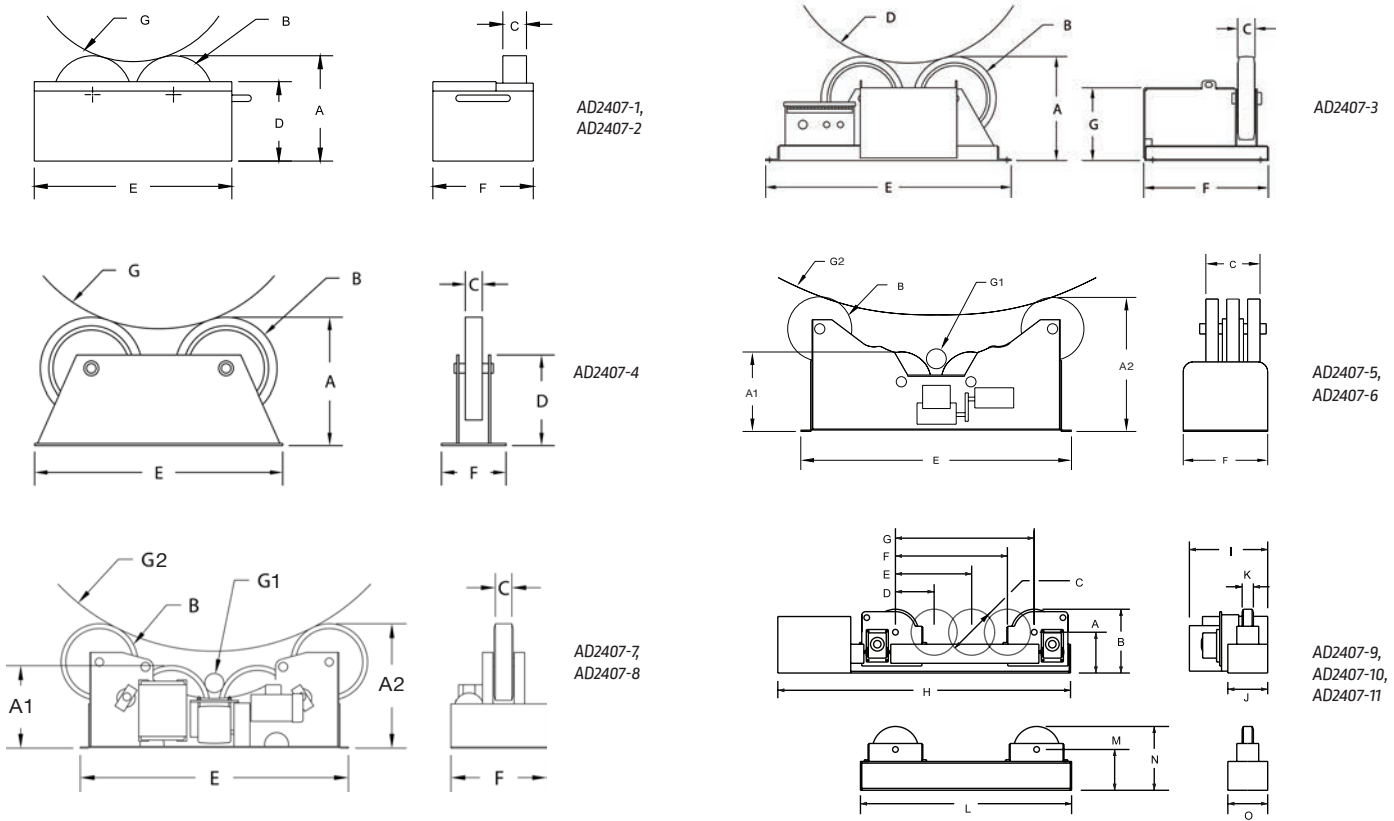
See back for complete specs

PRODUCT SPECIFICATIONS

Product Name	Product Number	Turning Capacity lb (kg)	Input Power Voltage/Phase/Hertz/Amps	Pipe Diameter Range in (mm)	Tractive Effort lb (kg)	Load Capacity lb (kg)	Speed Range IPM	Motor Rating HP	Wheel Diameter in (mm)	Combined Wheel Face in (mm)	Wheel Center to Center Spacing in (mm)	Weight lb (kg)
Power Roll 16 in (406 mm)	AD2407-1	1500 (680)	115/1/60/6	2-16 (51-406)	N/A	750 (340)	1-50	1/15	6 (152)	2 (51)	6 3/8 (162)	45 (20.4)
Idler Roll 16 in (406 mm)	AD2407-2		N/A				N/A	N/A				20 (9.1)
Power Roll 40 in (1016 mm)	AD2407-3	6000 (2722)	115/1/60/6	3.5-40 (89-1016)	277 (126)	2000 (907)	2-60	1/4	12 (305)	2.5 (64)	N/A	230 (104.3)
Idler Roll 40 in (1016 mm)	AD2407-4		N/A				N/A	N/A				100 (45.4)
Power Roll 144 in (3658 mm)	AD2407-5	8000 (3629)	115/1/60/6.5	4-144 (102-3658)	396 (180)	4000 (1814)	5-105	1/3	10 7/8 (276)	N/A	N/A	500 (226.8)
Idler Roll 144 in (3658 mm)	AD2407-6		N/A				N/A	N/A				325 (147.4)
Power Roll 144 in (3658 mm)	AD2407-7	15000 (6804)	115/1/60/10	3.5-144 (89-3658)	693 (314)	7500 (3402)	4.7-94.5	1/2	16 (406)	4 (102)	N/A	700 (317.5)
Idler Roll 144 in (3658 mm)	AD2407-8		N/A				N/A	N/A				500 (226.8)
Power Roll 144 in (3658 mm)	AD2407-13	30000 (13608)	460/3/60/12	4-144 (102-3658)	1385 (628)	10000 (4536)	2.1-63.5	1	16 (406)	4 (102)	N/A	1050 (476.3)
Power Roll 144 in (3658 mm)	AD2407-15		600/3/60/10									1050 (476.3)
Idler Roll 144 in (3658 mm)	AD2407-14		N/A				N/A	N/A				500 (226.8)
Power Roll 180 in (4572 mm)	AD2407-9	30000 (13608)	460/3/60/12	6-180 (152-4572)	1385 (628)	10000 (4536)	2.1-63	1	16 (406)	4 (102)	N/A	950 (431)
Power Roll 180 in (4572 mm)	AD2407-11		600/3/60/10									950 (431)
Idler Roll 180 in (4572 mm)	AD2407-10		N/A				N/A	N/A				400 (181.4)

QUICKSET SPECIFICATIONS FOR POWER & IDLER ROLLS < 15000 LB (6804 KG)

Product Name	Product Number	A	B	C	D	E	F	G
		Wheel Height in (mm)	Wheel Diameter in (mm)	Wheel Face in (mm)	Frame Height in (mm)	Frame Length in (mm)	Frame Width in (mm)	Pipe Diameter Range in (mm)
Power Roll 16 in (406 mm)	AD2407-1	8.5 (216)	6 (152)	2 (51)	6 1/2 (165)	15 3/8 (391)	7 3/8 (187)	2-16 (51-406)
Idler Roll 16 in (406 mm)	AD2407-2					14 3/8 (365)	7 1/2 (190)	
Power Roll 40 in (1016 mm)	AD2407-3	15 (381)	12 (305)	2 1/2 (64)	10 9/16 (268)	35 5/8 (905)	18 1/16 (459)	3 1/2-40 (89-1016)
Idler Roll 40 in (1016 mm)	AD2407-4				15 (381)	27 3/4 (705)	6 (152)	
Power Roll 144 in (3658 mm)	AD2407-5	16 (406) min ^{A1} 26 11/16 (678) max ^{A2}	12 (305)	10 7/8 (276)	N/A	58 7/8 (1495)	17 (432)	4-144 (102-3658)
Idler Roll 144 in (3658 mm)	AD2407-6			11 3/16 (284)			18 (457)	
Power Roll 144 in (3658 mm)	AD2407-7	17 1/4 (438) min ^{A1} 26 (660) max ^{A2}	16 (406)	4 (102)		64 (1625)	20 (508)	3 1/2-144 (89-3658)
Idler Roll 144 in (3658 mm)	AD2407-8						18 (457)	

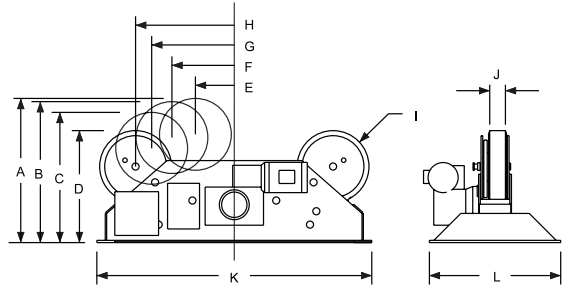


QUICKSET SPECIFICATIONS FOR POWER & IDLER ROLLS > 15000 LB (6804 KG)

Product Name	Product Number	A	B	C	D	E	F	G	H	I	J	K	L	M	N	O
		Axle Height in (mm)	Wheel Height in (mm)	Wheel Diameter in (mm)	Spacing For Cylinders ø 6-41 in (152-1041 mm)	Spacing For Cylinders ø 30-87 in (762-2210 mm)	Spacing For Cylinders ø 50-132 in (1270-3352 mm)	Spacing For Cylinders ø 100-180 in (2540-4572 mm)	Power Roll Length in (mm)	Power Roll Width in (mm)	Power Roll Frame Width in (mm)	Wheel Face	Idler Roll Length in (mm)	Axle Height in (mm)	Wheel Height in (mm)	Idler Roll Frame Width in (mm)
Power Roll 180 in (4572 mm)	AD2407-9								110 (2794)	24 (609)	20 (508)		N/A			N/A
Idler Roll 180 in (4572 mm)	AD2407-10	11 3/8 (289)	19 3/8 (492)	16 (406)	19 1/2 (495)	95 (889)	50 1/2 (1282)	66 (1676)	N/A	N/A	N/A	4 (102)	90 (2286)	11 3/8 (289)	19 3/8 (492)	20 (508)
Power Roll 180 in (4572 mm)	AD2407-11								110 (2794)	24 (609)	20 (508)		N/A			N/A

QUICKSET SPECIFICATIONS FOR POWER & IDLER ROLLS > 15000 LB (6804 KG)

Product Name	Product Number	A	B	C	D	E	F	G	H	I	J	K	L
		Wheel Height in (mm)				Spacing For Cylinders ø 4-36 in (101.6-914.4 mm)	Spacing For Cylinders ø 35-65 in (889-1651 mm)	Spacing For Cylinders ø 58-92 in (1473.2-2336.8 mm)	Spacing For Cylinders ø 72-144 in (1828.8-3657.6 mm)	Wheel Diameter in (mm)	Wheel Face in (mm)	Frame Length in (mm)	Frame Width in (mm)
Power Roll 144 in (3658 mm)	AD2407-13												
Idler Roll 144 in (3658 mm)	AD2407-14	32.11 (813)	31.38 (787)	28.88 (737)	24.94 (635)	8.75 (222)	13.94 (356)	18.55 (470)	22 (559)	16 (406)	4 (102)	61.25 (1556)	29.25 (743)
Power Roll 144 in (3658 mm)	AD2407-15												



AD2407-13, AD2407-14, AD2407-15

ADDITIONAL ACCESSORIES

Product Name	Product Number	Power Roll 16 in (406 mm) [AD2407-1]	Power Roll 40 in (1016 mm) [AD2407-3]	Power Roll 144 in (3658 mm) [AD2407-5]	Power Roll 144 in (3658 mm) [AD2407-7]	Power Roll 180 in (4572 mm) [AD2407-9]	Power Roll 180 in (4572 mm) [AD2407-11]	Power Roll 144 in (3658 mm) [AD2407-13]	Power Roll 144 in (3658 mm) [AD2407-15]
Footswitch Forward/ Stop/Reverse	AD2404-2	•	•	•	•	•	•	•	•
Footswitch Variable Speed Control	AD2404-3	•	•	•	•	•	•	•	•
Digital Tachometer	AD2404-5	•	•	•	•	•	•	•	•

CUSTOMER ASSISTANCE POLICY

The business of The Lincoln Electric Company is manufacturing and selling high quality welding equipment, consumables, and cutting equipment. Our challenge is to meet the needs of our customers and to exceed their expectations. On occasion, purchasers may ask Lincoln Electric for information or advice about their use of our products. Our employees respond to inquiries to the best of their ability based on information provided to them by the customers and the knowledge they may have concerning the application. Our employees, however, are not in a position to verify the information provided or to evaluate the engineering requirements for the particular weldment. Accordingly, Lincoln Electric does not warrant or guarantee or assume any liability with respect to such information or advice. Moreover, the provision of such information or advice does not create, expand, or alter any warranty on our products. Any express or implied warranty that might arise from the information or advice, including any implied warranty of merchantability or any warranty of fitness for any customers' particular purpose is specifically disclaimed.

Lincoln Electric is a responsive manufacturer, but the selection and use of specific products sold by Lincoln Electric is solely within the control of, and remains the sole responsibility of the customer. Many variables beyond the control of Lincoln Electric affect the results obtained in applying these types of fabrication methods and service requirements.

Subject to Change – This information is accurate to the best of our knowledge at the time of printing. Please refer to www.lincolnelectric.com for any updated information.

THE ONLY SINGLE-SOURCE AUTOMATION PROVIDER

Lincoln Electric has built a solutions portfolio to include all of the competencies to support your need to improve productivity, quality and safety. Lincoln Electric can modify or completely customize the creation of your weld cell to meet those precise needs.

With a global network of facilities and people, you'll get quick response and personalized attention. Contact one of the below facilities for more information on the types of solutions available to help you produce faster, more repeatable, higher quality results.

UNITED STATES

22221 Saint Clair Ave.
Cleveland, Ohio · 44117-2552
Phone: +1.888.935.3878

CANADA

939 Gana Court
Mississauga, Ontario · L5S 1N9
Phone: +1.905.565.5600

MEXICO

Calzada Azcapotzalco-La Villa 869
Industrial Vallejo, Mexico DF · CP 02330
Phone: +52.55.5063.0330

www.lincolnelectric.com/automated-solutions