

MANUAL SLIDES

Mechanized Automation



Single Axis Slide Power Kit
AD2408-3



6 in Manual Slide 750 lb
AD2408-2

6 in Manual Slide 200 lb
AD2408-1

A quality slide is essential for the proper alignment of the torch to the weld area. Lincoln Electric® slides assure you that the torch will be accurately positioned with a smooth easy stroke. Manual slides may be used vertically or horizontally so they can be easily compounded. Mounted on manipulators, side beams, or other torch articulation equipment, these heavy-duty slides are ideal for fine horizontal and vertical adjustments to the torch. Varying stroke lengths are available to meet nearly all weld requirements, either powered or manual.

Load Capacity »

200 lb (91 kg) @
6 in (152 mm)

750 lb (340 kg) @
12 in (305 mm)

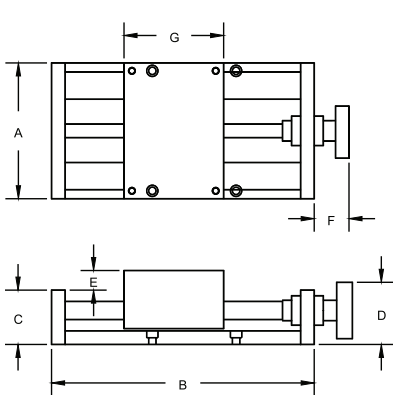
Product Numbers »

See back for complete specs

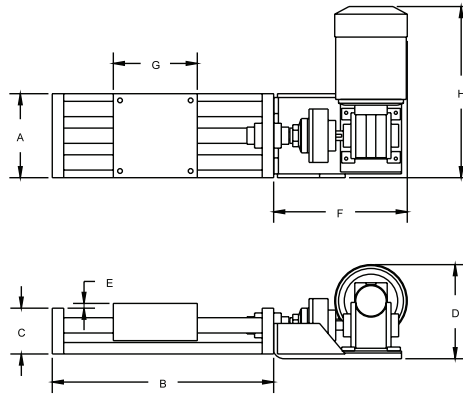
PRECISION SLIDES AND SWIVELS DIMENSIONS

Description	Product Number	Load Capacity lb (kg) @ in (mm)	Ship Weight lb (kg)	A	B	C	D	E	F	G	H
				in (mm)	in (mm)	in (mm)	in (mm)	in (mm)	in (mm)	in (mm)	in (mm)
6 in (152 mm) Manual Slide	AD2408-1	200 (91) @ 6 (152)	34 (15)	5-1/2 (140)	14-1/2 (368)	3 (76)	4 (102)	5/16 (8)	3-1/2 (89)	5-1/2 (140)	-
6 in (152 mm) Manual Slide with Power motion*	AD2408-1 AD2408-3	200 (91) @ 6 (152)	64 (29)	5-1/2 (140)	14-1/2 (368)	3 (76)	6-1/4 (159)	5/16 (8)	8-7/8 (225)	5-1/2 (140)	10-3/16 (259)
6 in (152 mm) Manual Slide	AD2408-2	750 (340) @ 12 (305)	39 (18)	5-1/2 (140)	10-9/16 (268) Plus Stroke	3 (76)	4 (102)	3/16 (5)	3-1/2 (89)	8 (203)	-
6 in (152 mm) Manual Slide with Power motion*	AD2408-2 AD2408-3	750 (340) @ 12 (305)	55 (25)	5-1/2 (140)	10-9/16 (268) Plus Stroke	3 (76)	6-1/4 (159)	3/16 (5)	8-7/8 (225)	8 (203)	10-3/16 (259)

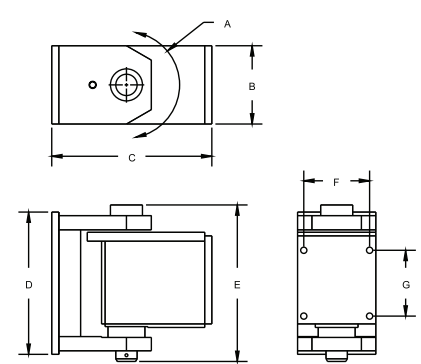
* Note: For power slide option, manual slide is required.



Manual Dimensions



Power Dimensions



Swivel Dimensions

CUSTOMER ASSISTANCE POLICY

The business of The Lincoln Electric Company is manufacturing and selling high quality welding equipment, consumables, and cutting equipment. Our challenge is to meet the needs of our customers and to exceed their expectations. On occasion, purchasers may ask Lincoln Electric for information or advice about their use of our products. Our employees respond to inquiries to the best of their ability based on information provided to them by the customers and the knowledge they may have concerning the application. Our employees, however, are not in a position to verify the information provided or to evaluate the engineering requirements for the particular weldment. Accordingly, Lincoln Electric does not warrant or guarantee or assume any liability with respect to such information or advice. Moreover, the provision of such information or advice does not create, expand, or alter any warranty on our products. Any express or implied warranty that might arise from the information or advice, including any implied warranty of merchantability or any warranty of fitness for any customers' particular purpose is specifically disclaimed.

Lincoln Electric is a responsive manufacturer, but the selection and use of specific products sold by Lincoln Electric is solely within the control of, and remains the sole responsibility of the customer. Many variables beyond the control of Lincoln Electric affect the results obtained in applying these types of fabrication methods and service requirements.

Subject to Change – This information is accurate to the best of our knowledge at the time of printing. Please refer to www.lincolnelectric.com for any updated information.

THE ONLY SINGLE-SOURCE AUTOMATION PROVIDER

Lincoln Electric has built a solutions portfolio to include all of the competencies to support your need to improve productivity, quality and safety. Lincoln Electric can modify or completely customize the creation of your weld cell to meet those precise needs.

With a global network of facilities and people, you'll get quick response and personalized attention. Contact one of the below facilities for more information on the types of solutions available to help you produce faster, more repeatable, higher quality results.

UNITED STATES

22221 Saint Clair Ave.
Cleveland, Ohio · 44117-2552
Phone: +1.888.935.3878

CANADA

939 Gana Court
Mississauga, Ontario · L5S 1N9
Phone: +1.905.565.5600

MEXICO

Calzada Azcapotzalco-La Villa 869
Industrial Vallejo, Mexico DF · CP 02330
Phone: +52.55.5063.0330

www.lincolnelectric.com/automated-solutions