

# PRO-PAK™ FHS-SS

## ARC WELDING



*Render is for reference only and shows the following options: Single Robot Configuration, Headstock/Tailstock Positioner, HMI Control Panel, High Voltage Power Distribution Panel, Power REAM® Torch Maintenance Station*

## SINGLE STATION

Configured with a variety of positioning equipment or customer supplied static tables to improve application flexibility.

- Headstock / Tailstock Positioner, Tilt / Rotate Positioner, or Customer Supplied Static Tables
- Easily transported as an entire cell, enhancing mobility

### KEY FEATURES

- Easy integration with most major robot manufacturers
- Solid panel safety enclosure allows for more efficient fume extraction
- Modular platform base minimizes installation time
- Weld ground isolation reduces risk of electrical damage to the positioner or robot controller
- Robotic positioners are designed for maximum static and dynamic stiffness, reducing air-cut speeds
- Engineered for high duty use cycles

### Industries »

Automotive  
Transportation

### Benefits »

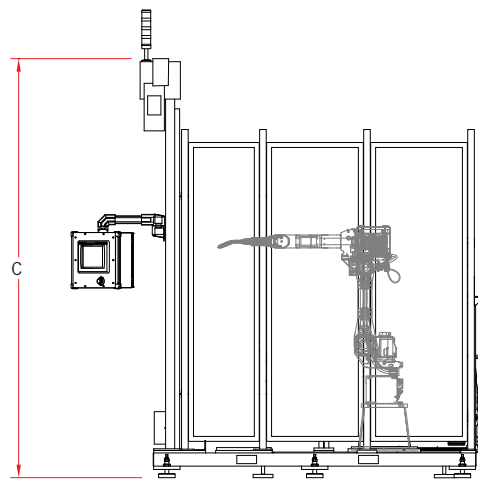
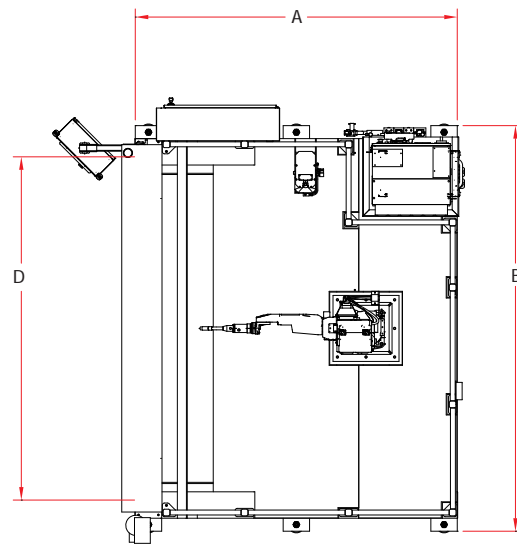
More Consistent Weld Quality  
Simplified Cable Management  
Weld Controller Integration  
Multiple Supplier Options  
Ease of Installation  
Seamless Re-Deployment  
Compact Footprint  
ANSI/RIA Safety Compliant

## STANDARD CELL INCLUDES

- Headstock / Tailstock or Tilt / Rotate Positioner; or Customer Supplied Static Tables
- Solid Panel Safety Enclosure
- Manual Operator Station
- Single or Dual Robot Configuration
- Robotic Arm with Controller
- Arc Welding Dressout Kit
- Power Wave® i400 Power Source
- AutoDrive® 4R220 Wire Drive
- Magnum® PRO Robotic 550 Weld Gun

## OPTIONS AVAILABLE

- HMI / PLC Packages
- Power Wave® R450 Power Source
- Power REAM® Torch Maintenance Station
- Operator Convenience Package
- High Voltage Power Distribution Panel
- Contact Tip Change Box
- Weld Shielding Gas Delivery Package
- Pneumatic Distribution Station
- Weld Wire Pay off Package
- Fume Extraction Hood
- Fume Extraction System



## DIMENSIONS

A	B	C	D
2478 mm	3963 mm	3165 mm	3310 mm

## CUSTOMER ASSISTANCE POLICY

The business of The Lincoln Electric Company is manufacturing and selling high quality welding equipment, consumables, and cutting equipment. Our challenge is to meet the needs of our customers and to exceed their expectations. On occasion, purchasers may ask Lincoln Electric for information or advice about their use of our products. Our employees respond to inquiries to the best of their ability based on information provided to them by the customers and the knowledge they may have concerning the application. Our employees, however, are not in a position to verify the information provided or to evaluate the engineering requirements for the particular weldment. Accordingly, Lincoln Electric does not warrant or guarantee or assume any liability with respect to such information or advice. Moreover, the provision of such information or advice does not create, expand, or alter any warranty on our products. Any express or implied warranty that might arise from the information or advice, including any implied warranty of merchantability or any warranty of fitness for any customers' particular purpose is specifically disclaimed.

Lincoln Electric is a responsive manufacturer, but the selection and use of specific products sold by Lincoln Electric is solely within the control of, and remains the sole responsibility of the customer. Many variables beyond the control of Lincoln Electric affect the results obtained in applying these types of fabrication methods and service requirements.

Subject to Change – This information is accurate to the best of our knowledge at the time of printing. Please refer to [www.lincolnelectric.com](http://www.lincolnelectric.com) for any updated information.

## THE ONLY SINGLE-SOURCE AUTOMATION PROVIDER

Lincoln Electric Automation™ has built a solutions portfolio to include all of the competencies to support your need to improve productivity, quality and safety. Lincoln Electric Automation can modify or completely customize the creation of your weld cell to meet those precise needs.

With a global network of facilities and people, you'll get quick response and personalized attention. Contact us for more information on the types of solutions available to help you produce faster, more repeatable, higher quality results.

[www.lincolnelectric.com/automation](http://www.lincolnelectric.com/automation)