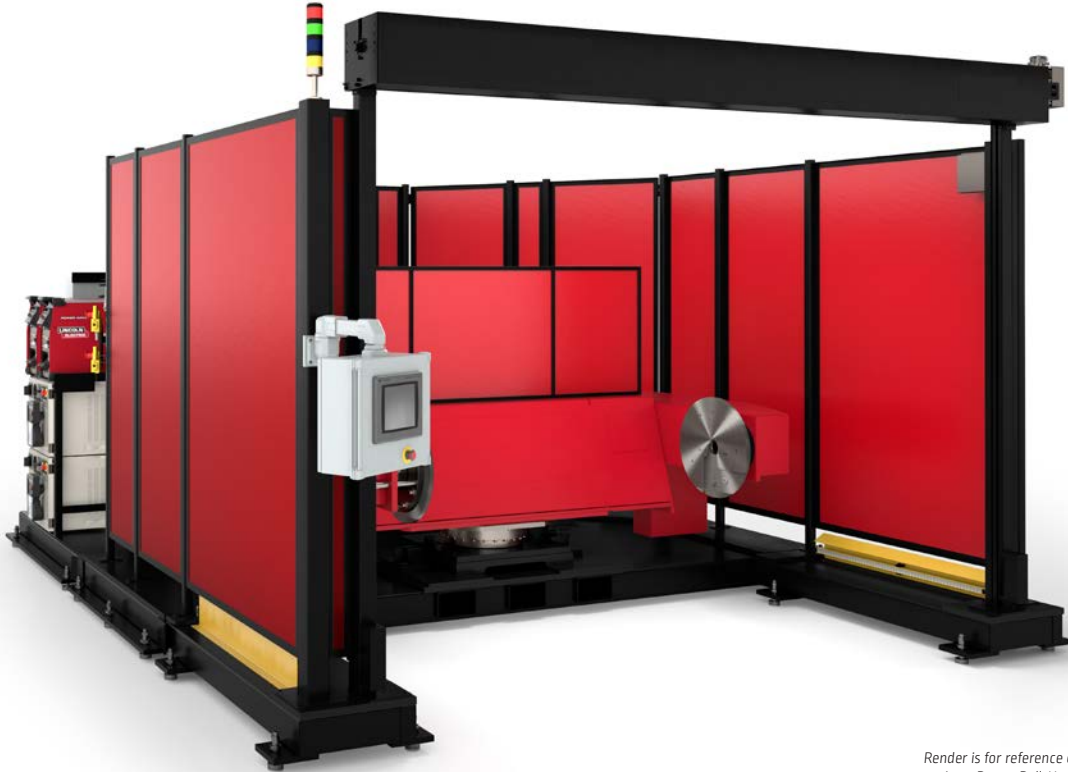


PRO-PAK™ XHS

ARC WELDING



Render is for reference only and shows the following options: Power Roll-Up Door, HMI Control Panel, Power Wave® R450 Power Source

H-FRAME

Achieves true zero position through an integrated precision wedge lock on the primary axis.

- Offered in 2.0, 2.5, and 3.0 meter tool bed lengths with custom lengths available
- Optimal load heights of 500/600/850 mm

KEY FEATURES

- Easy integration with most major robot manufacturers
- Solid panel safety enclosure allows for more efficient fume extraction
- Modular platform base minimizes installation time
- Weld ground isolation reduces risk of electrical damage to the positioner or robot controller
- Robotic positioners are designed for maximum static and dynamic stiffness, reducing air-cut speeds
- Engineered for high duty use cycles

Industries »

Automotive
Transportation

Benefits »

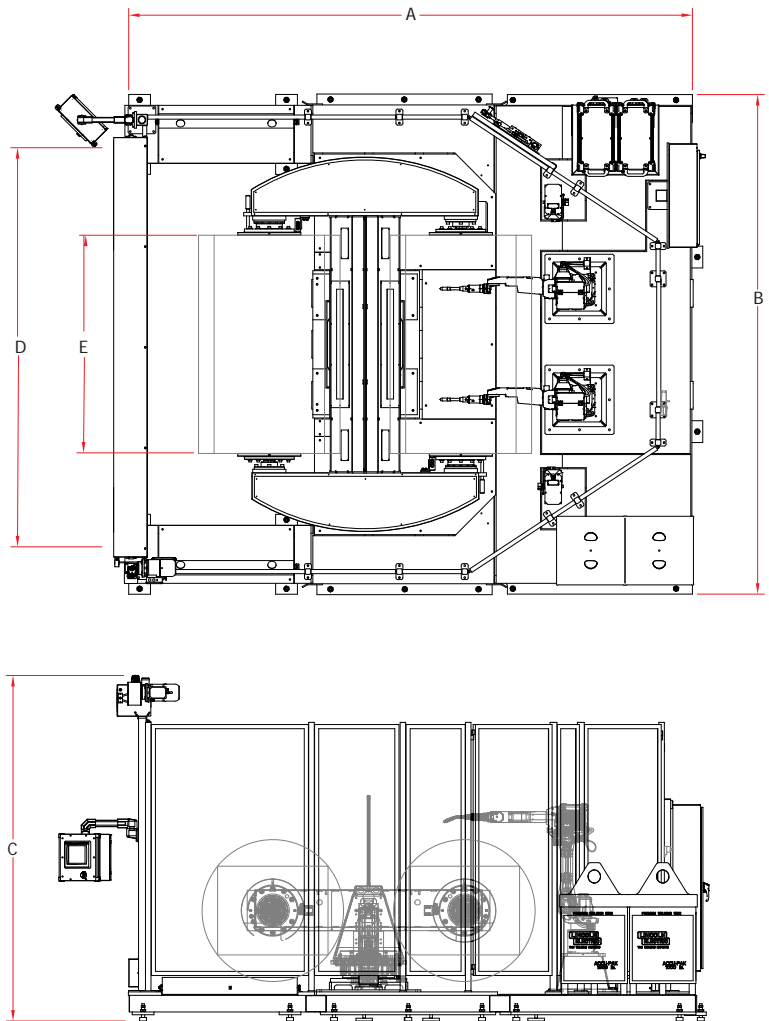
More Consistent Weld Quality
Simplified Cable Management
Weld Controller Integration
Multiple Supplier Options
Ease of Installation
Seamless Re-Deployment
Compact Footprint
ANSI/RIA Safety Compliant

STANDARD CELL INCLUDES

- H-Frame Style Weld Positioner
- Modular Platform Base
- Solid Panel Safety Enclosure
- Manual Operator Station
- Single, Dual, Triple, or Quad Robot Configuration
- Robotic Arm with Controller
- Arc Welding Dressout Kit
- Power Wave® i400 Power Source
- AutoDrive® 4R220 Wire Drive
- Magnum® PRO Robotic 550 Weld Gun

OPTIONS AVAILABLE

- HMI / PLC Packages
- Power Wave® R450 Power Source
- Power REAM® Torch Maintenance Station
- Operator Convenience Package
- High Voltage Power Distribution Panel
- Overhead Crown Robot Mounting
- Contact Tip Change Box
- Weld Shielding Gas Delivery Package
- Pneumatic Distribution Station
- Weld Wire Pay off Package
- Fume Extraction Hood
- Fume Extraction System



DIMENSIONS

| A | B | C | D | E |
|---------|-----------|---------|-----------|-----------------|
| 5179 mm | E+2578 mm | 3116 mm | E+1657 mm | Tool Bed Length |

H-FRAME SPECIFICATIONS

| Model | 180° Sweep Time Primary Axis | 180° Sweep Time Satellite Axis | Max Tool Diameter | Tool Bed Length | Sweep Diameter | Max Payload (Per Axis) |
|----------|------------------------------|--------------------------------|-------------------|-----------------|----------------|------------------------|
| 5016-HFA | 4.50 sec | 2.00 sec | 1.30 m | 2.00 m | 3.66 m | 1000 kg |
| | | | | 2.50 m | 3.96 m | |
| | | | | 3.00 m | 4.29 m | |

Important Note: Changes from recommended motor sizing, payload, duty cycles, cable routing, weld grounding (if applicable), other system specifications (i.e. servo parameters, controller stop parameter) and/or modifications may affect cycle times and overall performance. User assumes all responsibility for proper rigging, installation and machine setting alignments of product(s). Manufacturer's warranty is void to the extent any failure caused by improper installation, modification or operation by customer.

CUSTOMER ASSISTANCE POLICY

The business of The Lincoln Electric Company is manufacturing and selling high quality welding equipment, consumables, and cutting equipment. Our challenge is to meet the needs of our customers and to exceed their expectations. On occasion, purchasers may ask Lincoln Electric for information or advice about their use of our products. Our employees respond to inquiries to the best of their ability based on information provided to them by the customers and the knowledge they may have concerning the application. Our employees, however, are not in a position to verify the information provided or to evaluate the engineering requirements for the particular weldment. Accordingly, Lincoln Electric does not warrant or guarantee or assume any liability with respect to such information or advice. Moreover, the provision of such information or advice does not create, expand, or alter any warranty on our products. Any express or implied warranty that might arise from the information or advice, including any implied warranty of merchantability or any warranty of fitness for any customers' particular purpose is specifically disclaimed.

Lincoln Electric is a responsive manufacturer, but the selection and use of specific products sold by Lincoln Electric is solely within the control of, and remains the sole responsibility of the customer. Many variables beyond the control of Lincoln Electric affect the results obtained in applying these types of fabrication methods and service requirements.

Subject to Change – This information is accurate to the best of our knowledge at the time of printing. Please refer to www.lincolnelectric.com for any updated information.

THE ONLY SINGLE-SOURCE AUTOMATION PROVIDER

Lincoln Electric Automation™ has built a solutions portfolio to include all of the competencies to support your need to improve productivity, quality and safety. Lincoln Electric Automation can modify or completely customize the creation of your weld cell to meet those precise needs.

With a global network of facilities and people, you'll get quick response and personalized attention. Contact us for more information on the types of solutions available to help you produce faster, more repeatable, higher quality results.

www.lincolnelectric.com/automation