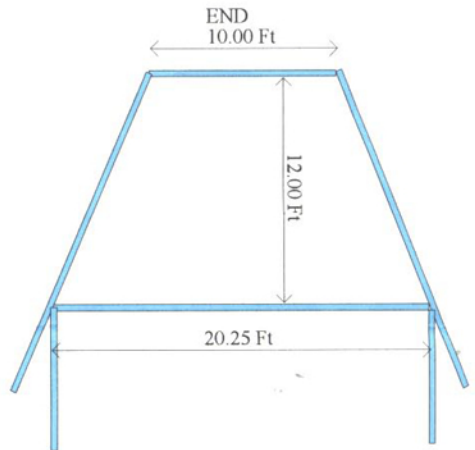
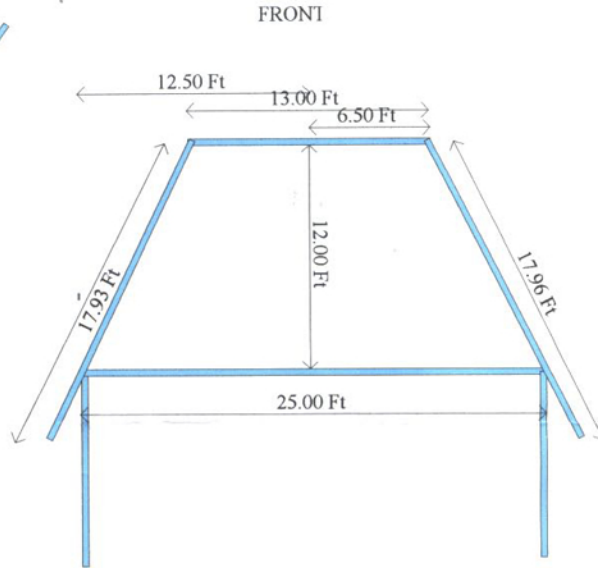
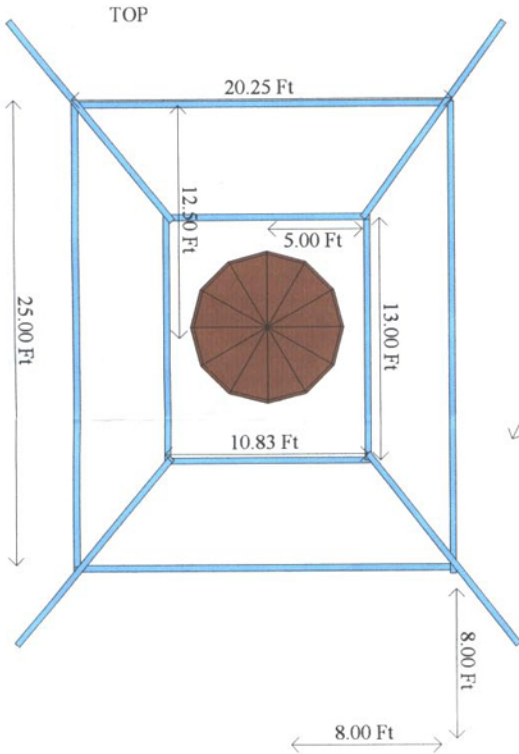


Top of Fire pit



ROOF MATERIALS

- A. 8(1 X 18) FLAT STEEL
- B. 2(10.83 X 20.25) 14 GA SHEET
- C. 2(13 X 25) 14 GA SHEET STEEL
- D. CHIMNEY BOX
- E. CRUSHED EXPANDED WIRE 2(24 X 25) - 2(24 X 20.25)
- F. PIPE AND NAILS FOR HINGES
- G. CHIMNEY AND CAP